



180° hinge for surface mounted door

- RH or LH application
- The door part has 2 stubs, keeping it in position during mounting of the pin.

Material:-

- Door and frame parts: Zinc die, chrome plated or black coated
- Pins: steel, zinc plated, AISI 304 or DELRIN or natural colour

door gauge 1.5 to 2 (16 to 14ga)

Chrome plated black coated

door gauge 2.5 to 3.2 (12 to 11ga)

Chrome plated black coated

Hinge with

a) Pin, steel, zinc plated

212-9001

212-9004

212-9501

212-9504

a1) Pin, AISI 304

212-9002

212-9005

212-9502

212-9505

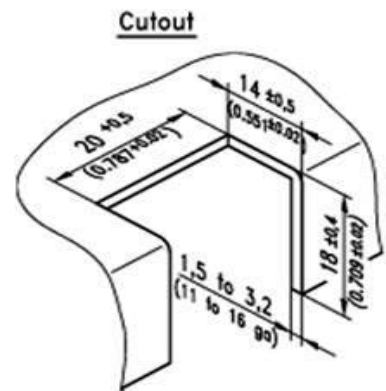
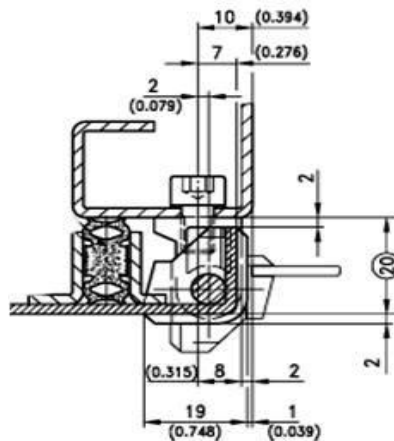
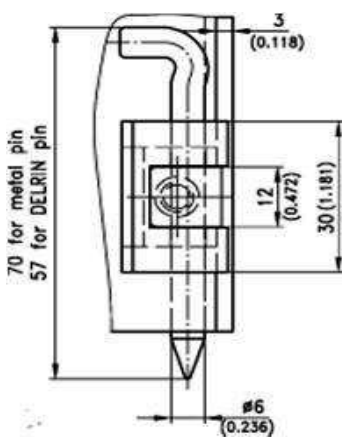
a2) Pin, DELRIN, natural

212-9003

212-9006

212-9503

212-9506



180° hinge for surface mounted door

- RH or LH application
- The frame part in the zinc die version has two M6 threaded square stubs for fixing from inside
- **Frame part made of steel for heavy application!**

Material:-

- Frame parts: Zinc die, chrome plated or steel black coated
- Fastening washer: steel, zinc plated
- Door part: zinc die, chrome plated or black coated
- Pins: steel, zinc plated, AISI 304 or DELRIN or natural colour

Frame part with zinc die

Chrome plated black coated

Frame with steel

black coated

Hinge with

1) Pin, steel, zinc plated

212-9056

212-9059

212-9062

2) Pin, stainless steel

212-9057

212-9060

212-9063

3) Pin, DELRIN, natural

212-9058

212-9061

212-9064

4) Pin and Frame, stainless steel (212-9705)

