

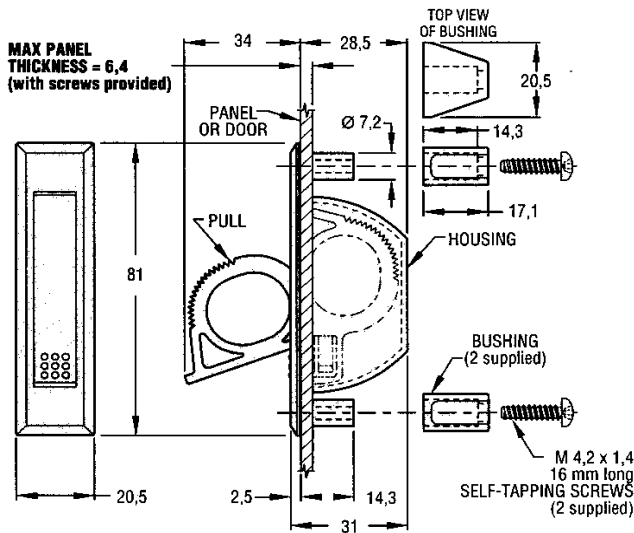
## Concealed Pocket Pull



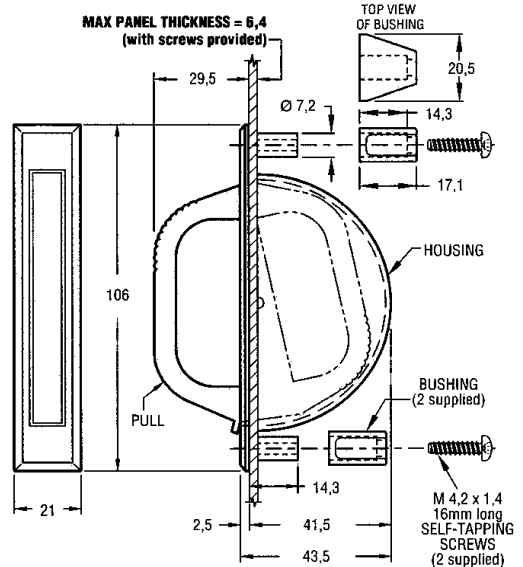
- Pull can be concealed for a flush surface
- Enclosed housing
- Black nylon housing
- Supplied with type 302 stainless steel mounting screws

Series (size)	Part Number		Installation	
	Silver Handle	Black Handle	A	
10 Series (small)	-----	<b>67-10</b>	<b>76</b>	<b>+1.0 -0.0</b>
20 Series (medium)	<b>67-27</b>	<b>67-25</b>	<b>102</b>	<b>+1.0 -0.0</b>
40 Series (large)	<b>67-47</b>	<b>67-45</b>	<b>136</b>	<b>+1.0 -0.0</b>

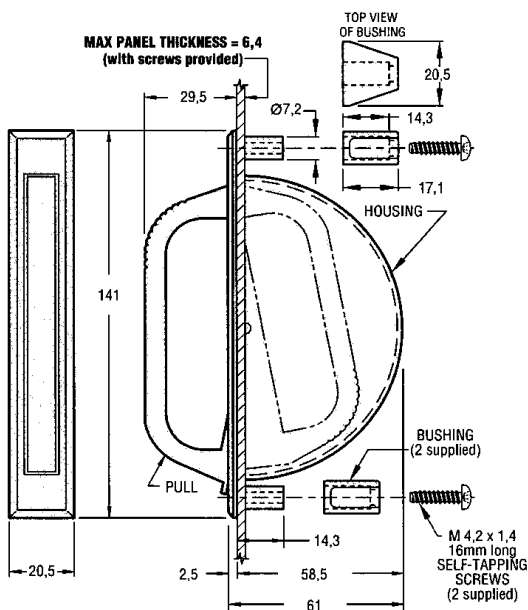
### 10 Series (Small Size)



### 20 Series (Medium Size)



### 40 Series (Large Size)



## Panel preparation

