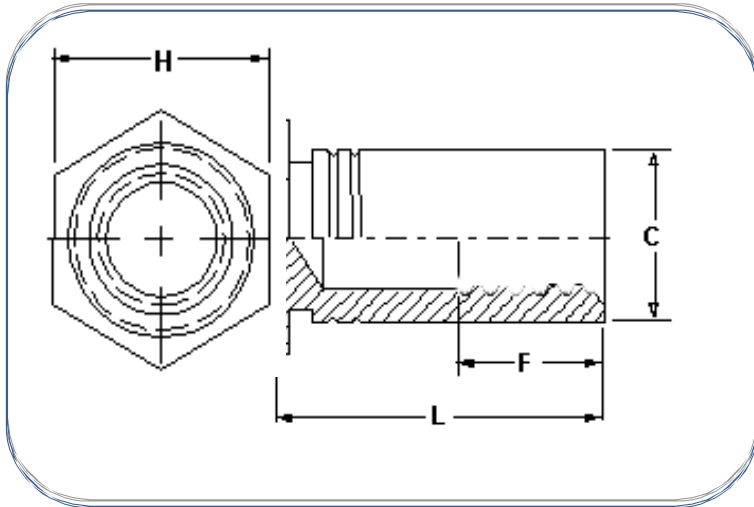


Blind Threaded Type



- ▶ Material: Steel
- ▶ Finish: Zinc Plated



Thread No.	Min sheet THK.	hole size in sheet +0.08	C -0.13	H Nom	Min.Dist Hole C/L To Edge
M3	1.02	4.22	4.20	4.8	6
3.5M3	1.02	5.41	5.39	6.4	7.1
M3.5	1.02	5.41	5.39	6.4	7.1
M4	1.27	7.14	7.12	7.9	8.4
M5	1.27	7.14	7.12	7.9	8.4

All dimension are in MM

Threads Size	Part Number	Thread No.	Length "L"									
			6	8	10	12	14	16	18	20	22	25
M3 x 0.5	SBSO-M3-XX	M3	★	★	★	★	★	★	★	★	★	★
	SBSO-3.5M3-XX	3.5M3										
M3.5 x 0.6	SBSO-M3.5-XX	M3.5										
M4 x 0.7	SBSO-M4-XX	M4	★	★	★	★	★	★	★	★	★	★
M5 x 0.8	SBSO-M5-XX	M5										
F Dimension (Min)			3.2	4	5.0	6.5			9.5			

How To Order:

XX = Standard Length For Standoff

If your require length is 6mm

Substitute 06 for the XX portion of the basic part number.

e.g. SBSO-M4-06