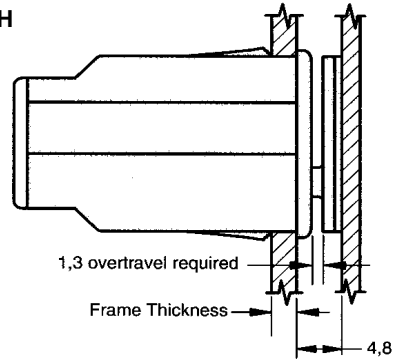
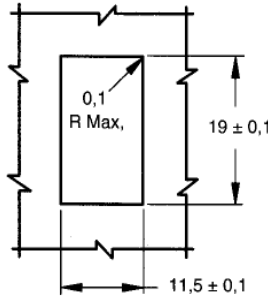
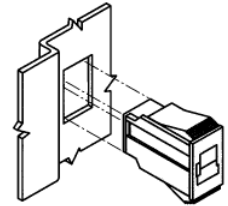
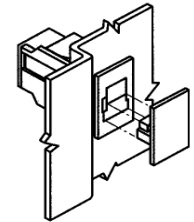


Large Touch Latch

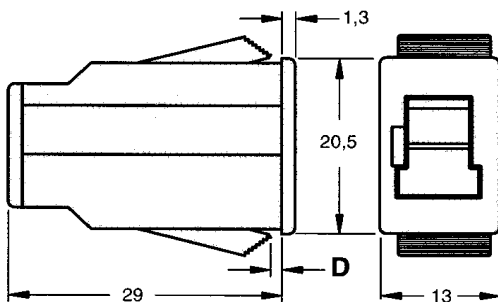
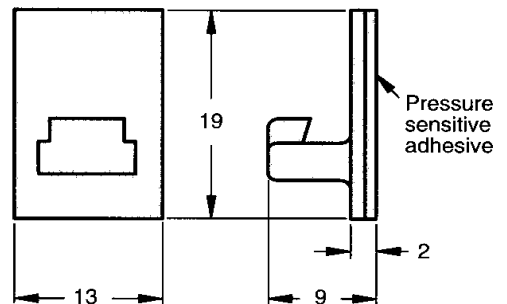

LATCH


- Latch snaps into the frame
- Push the door to latch and unlatch
- Self-adhesive keeper
- Single hole, snap-in installation
- Nothing shows on the surface
- Thermoplastic construction
- UL-94-HB flammability rating
- For use with intermittent breakaway loads
- Black finish

INSTALLATION

1.

2.

3.


Frame Thickness		D	Part Number
Min	Max		
1	3	0.9	E4-10-201-10
3	5	2.9	E4-10-202-10
5	7	4.9	E4-10-203-10

LATCH

KEEPER ASSEMBLY


Peel Protective backing from keeper. Close door against adhesive

