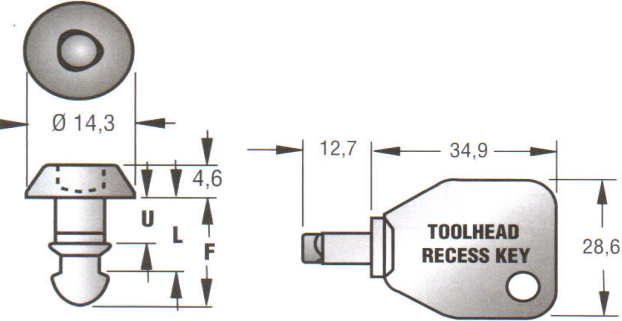
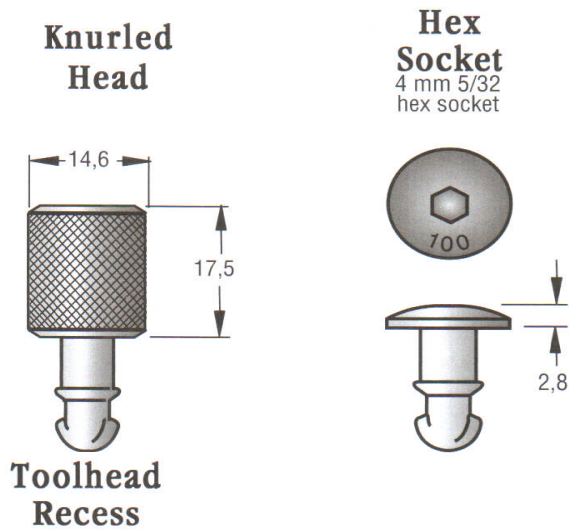


Large Quarter-Turn Stud

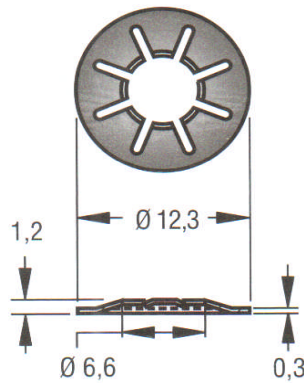


STUD PART NUMBERS

Dimension

Zinc plate, chromate plus sealer		Zinc plate, plus bright chromate dip	Dimension		
Knurled Head	Hex Socket	Toolhead Recess	U	L	F
85-13-100-16	85-78-100-16	85-T-100	5.2	9.1	13.8
85-13-120-16	85-78-120-16	85-T-120	5.7	9.7	14.4
85-13-140-16	85-78-140-16	85-T-140	6.2	10.2	14.9
85-13-160-16	85-78-160-16	85-T-160	6.7	10.7	15.4
85-13-180-16	85-78-180-16	85-T-180	7.2	11.2	15.9
85-13-200-16	85-78-200-16	85-T-200	7.8	11.7	16.4
85-13-220-16	85-78-220-16	85-T-220	8.3	12.2	16.9
85-13-240-16	85-78-240-16	85-T-240	8.8	12.7	17.4
85-13-260-16	85-78-260-16	85-T-260	9.3	13.2	17.9
85-13-280-16	85-78-280-16	85-T-280	9.8	13.7	18.4
85-13-300-16	85-78-300-16	85-T-300	10.3	14.2	18.9
85-13-320-16	85-78-320-16	85-T-320	10.8	14.7	19.4
85-13-340-16	85-78-340-16	85-T-340	11.3	15.2	19.9
85-13-360-16	85-78-360-16	85-T-360	11.8	15.8	20.5
85-13-380-16	85-78-380-16	85-T-380	12.3	16.3	21
85-13-400-16	85-78-400-16	85-T-400	12.8	16.8	21.5
85-13-420-16	85-78-420-16	85-T-420	13.3	17.3	22
85-13-440-16	85-78-440-16	85-T-440	13.8	17.8	22.5
85-13-460-16	85-78-460-16	85-T-460	14.4	18.3	23
85-13-480-16	85-78-480-16	85-T-480	14.9	18.8	23.5
85-13-500-16	85-78-500-16	85-T-500	15.4	19.3	24
85-13-520-16	85-78-520-16	85-T-520	15.9	19.8	24.5
85-13-540-16	85-78-540-16	85-T-540	16.4	20.3	25
85-13-560-16	85-78-560-16	85-T-560	16.9	20.8	25.5
85-13-580-16	85-78-580-16	85-T-580	17.4	21.3	26

Large Split Ring Retainer, Push-On Style

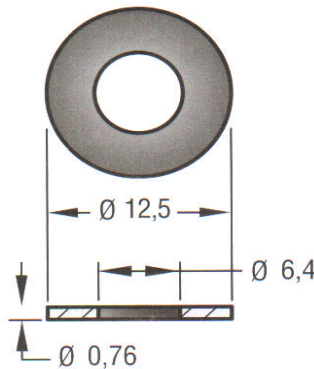


- Material: 302 Stainless Steel passivated.
- ▶ For installation tool order P/No: 85-0-22543-11

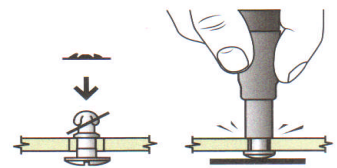


P/No: 85-34-201-20

Large Nylon Retainer, Push-On Style

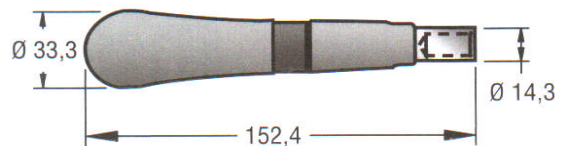


- Material: Nylon, Black
- ▶ For installation tool order P/No: 85-0-22543-11



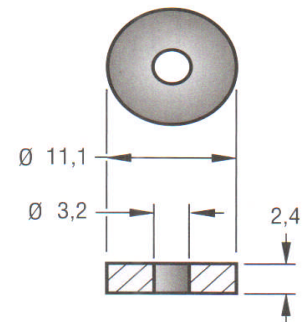
P/No: 85-34-301-12

Installation Tool

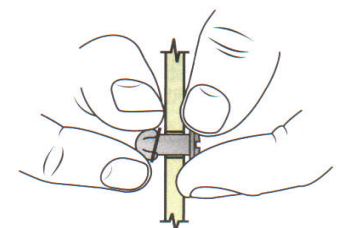


P/No: 85-0-22543-11

Large Neoprene Retainer



- Material: Neoprene, black
- Hand installation



P/No: 85-33-101-27