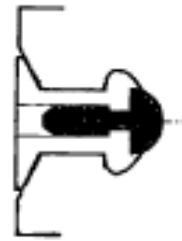
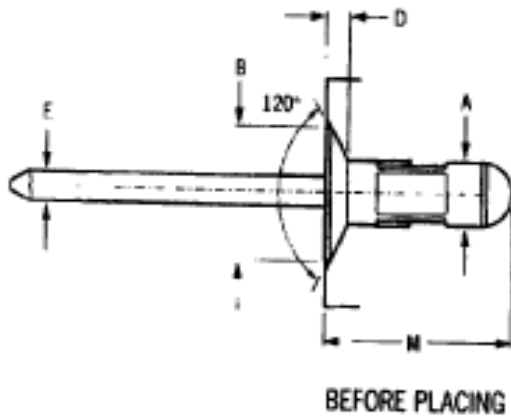


## 120° Countersink, Alum.Alloy Body & Zinc Plated Steel Mandrel



- A = Shank Diameter
- M = Shank Length
- B = Head Diameter
- D = Head Thickness
- E = Mandrel Diameter



**Material:**

Body: Aluminium Alloy

Mandrel: Carbon Steel

**Finish:**

Body: Natural

Mandrel: Zinc Plated

### DIMENSIONS

in millimetres

Hole Size		Grip Range		A	M	B	D	E	Fastener Size	Part Numbers
Min.	Max.	Min.	Max.	Max.	Max.	Max.	Max.	Max.	nom.	
3.3	3.4	2.4	6.3	3.2	12.2	5.5	1.3	1.8	3.2	CSK-0412-AL
		4.0	7.9		13.4					
4.1	4.2	2.8	7.9	4.0	14.3	6.5	1.3	2.1	4.0	CSK-0514-AL
		3.6	8.8		15.1					
4.9	5.0	3.2	7.9	4.9	15.5	8.9	1.8	2.8	4.8	CSK-0615-AL
		6.3	12.7		20.4					