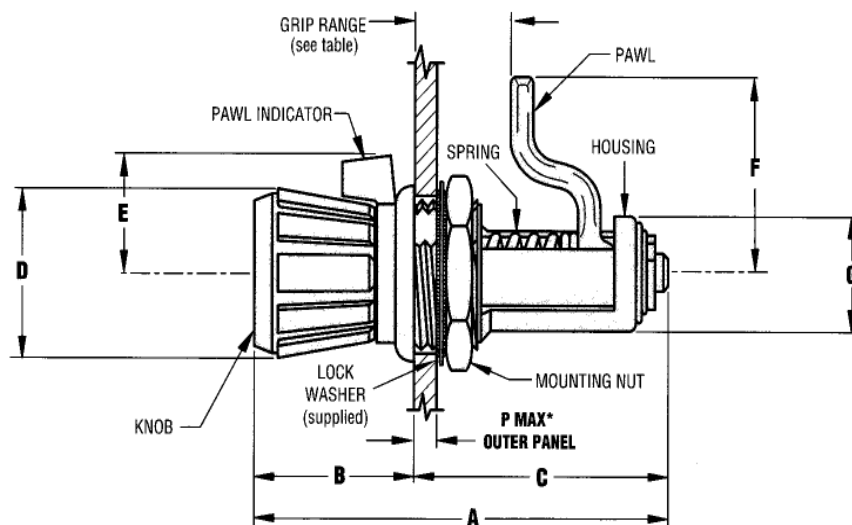


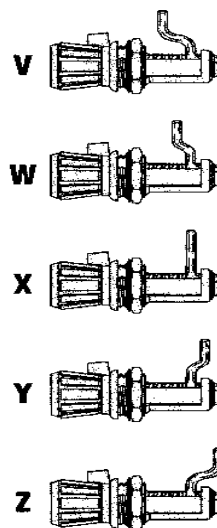
Adjustable Compression Latch with Pawl Indicator



- 1/4- Turn latches or unlatches
- Compress gasket, resist vibration
- Five size available
- Steel construction
- Nylon or die cast zinc knob
- Multiple grip ranges (see below)
- Finished with mounting nut and lockwashers
- Zinc plated with chromate plus sealer



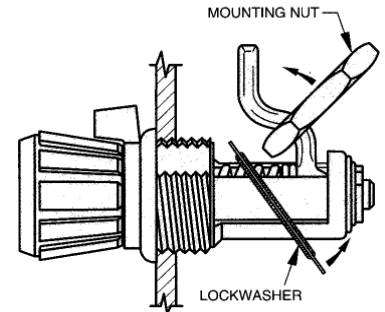
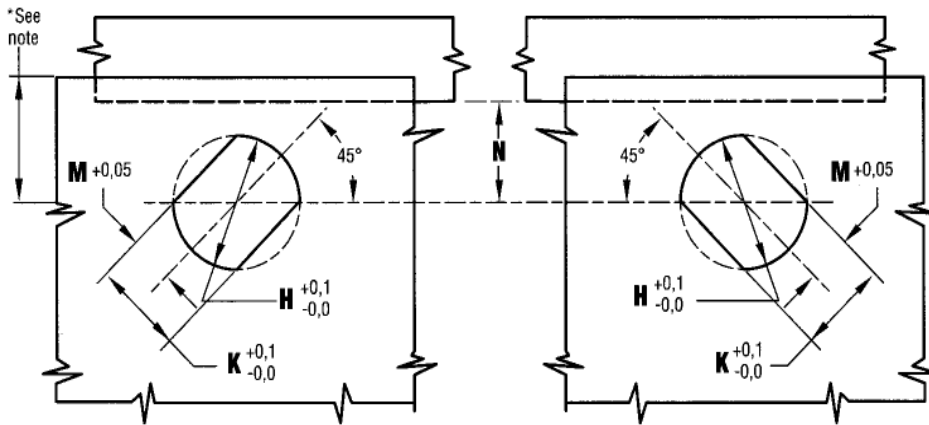
Pawl Style and position (pre-assembled)



southco®

DIMENSION										PART NUMBERS	Pawl position	Series	Installation						
A	B	C	D	E	F	G	P	Min	Max				H	K	M	N			
Nylon knob style																			
77.4	30.6	46.9	28.2	19.8	33.3	19	6.4	2.4	15.9	16-10-111-14	V	100	25.4	23.8	11.9	22.2	28.6		
								12.7	25.4	16-10-112-14	W								
								20.6	33.3	16-10-113-14	Y								
								28.6	42.9	16-10-114-14	Z								
65.9	25.8	40.1	24.1	15.9	27	17.5	6.4	1.6	14.3	16-10-211-14	V	200	22.2	20.6	10.3	15.9	22.2		
								12.7	25.4	16-10-212-14	X								
								23.8	36.5	16-10-213-14	Z								
54.8	21.8	32.9	19	12.7	23	15.5	4.8	1.6	12.7	16-10-311-14	V	300	19	17.5	8.7	17.5	20.6		
								9.5	20.6	16-10-312-14	X								
								17.5	28.6	16-10-313-14	Z								
40.7	17.3	23.4	13.5	9.1	19	11.5	2.4	1.6	8.7	16-10-411-14	V	400	14.3	12.7	6.4	14.3	17.5		
								7.1	14.3	16-10-412-14	X								
								12.7	19.8	16-10-413-14	Z								
Die-cast zinc knob style																			
77.4	30.6	46.9	28.2	19.8	33.3	19	6.4	2.4	15.9	16-10-101-11	V	100	25.4	23.8	11.9	22.2	28.6		
								12.7	25.4	16-10-102-11	W								
								20.6	33.3	16-10-103-11	Y								
								28.6	42.9	16-10-104-11	Z								
65.9	25.8	40.1	24.1	15.9	27	17.5	6.4	1.6	14.3	16-10-201-11	V	200	22.2	20.6	10.3	15.9	22.2		
								12.7	25.4	16-10-202-11	X								
								23.8	36.5	16-10-203-11	Z								

Adjustable Compression Latch with Pawl Indicator (cont.)

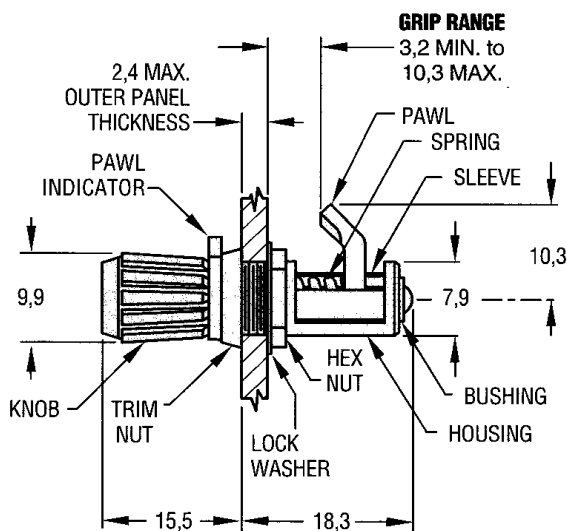
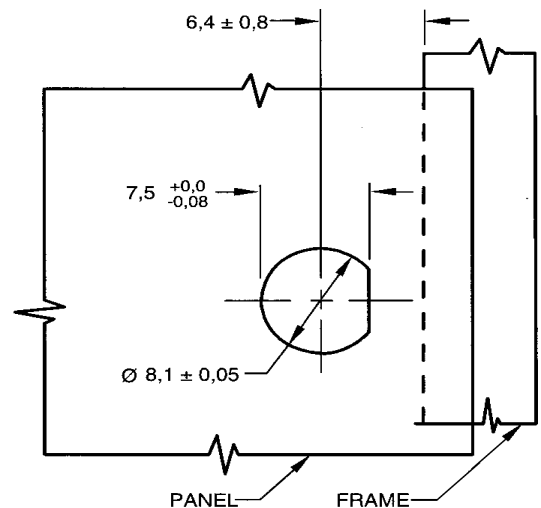
Installation
Installation (300,

PRODUCT STRENGTH GUIDELINES

(To assist in your product selection; samples are available for your evaluation)

Series	MAX. working load	Average ultimate load
100	445 N	990 N
200	400 N	620 N
300	335 N	445 N
400	220 N	330 N
500	135 N	200 N

*** NOTE: For assemblies Part Number 16-10-101-11 and 16-10-111-14 only..**
 When panel thickness exceeds 4.8, center of mounting hole must be less than 31.8 from EDGE OF PANEL.

Adjustable Compression Latch with Pawl Indicator, Miniature Size


Installation

P/No: 16-10-511-16

- Arrow indicates pawl position
- An extra turn adjusts the amount of compression applied
- Single hole installation
- Steel construction
- Black nylon knob. 0.12" to 0.41" grip range
- Furnished with zinc plated lockwasher and Type 303 stainless steel trim nut and hex nut
- Zinc plated with chromate plus sealer

