

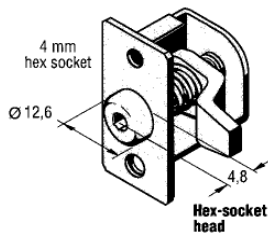
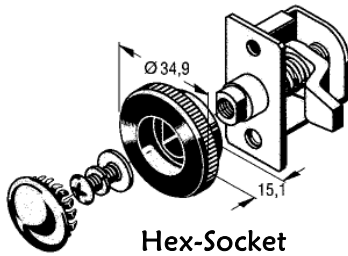
Adjustable Compression Latch, Medium Size



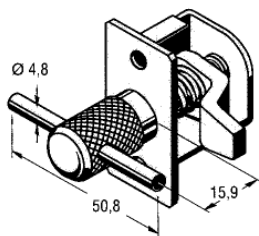
- Variety of styles
- An extra turn adjusts the amount of compression applied
- Three hole mount
- Steel or stainless steel construction
- Clockwise (Type A) or counterclockwise (Type B) rotation to latch
- Multiple grip ranges (see pawl style A,B & C)
- Hand or tool operated models are zinc plated with chromate plus sealer or passivated stainless steel
- Key-locking models are available in natural, chrome plated, or black powder coated finish
- ▷ To purchase optional black powder coated trimplate for concealing mounting hardware order P/No: 44-30-101-10
- ▷ To purchase tool for Toolhead Recess Style order P/N:29-90-215-10

Head Styles

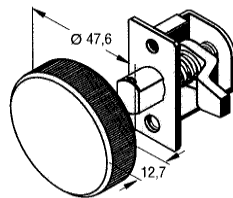
Black nylon knob



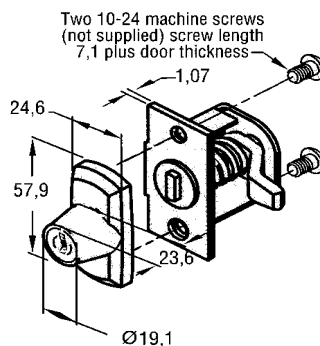
Knurled Head with T-Bar



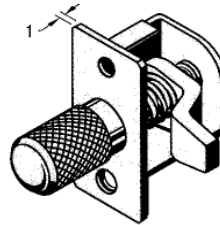
Low-profile black knob



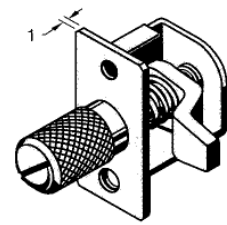
Keylocking



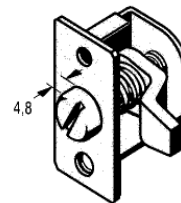
Knurled



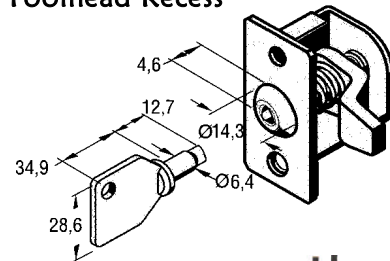
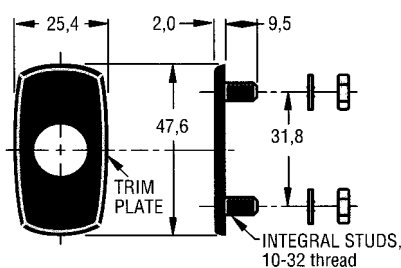
Slotted Knurled



Slotted Flush



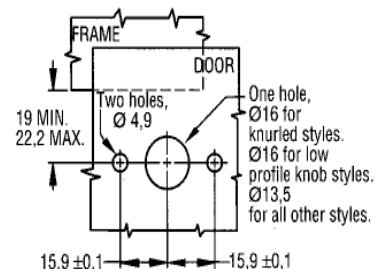
Toolhead Recess

Trimplate (optional)

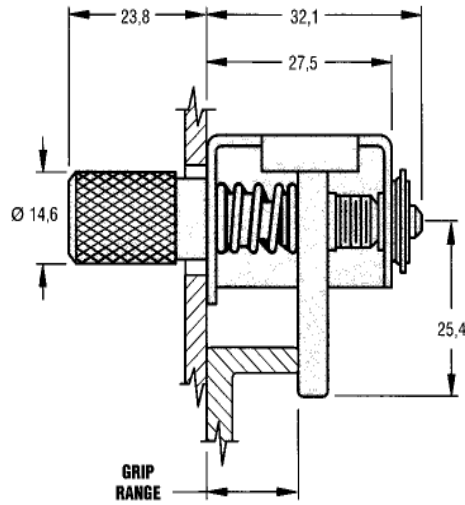
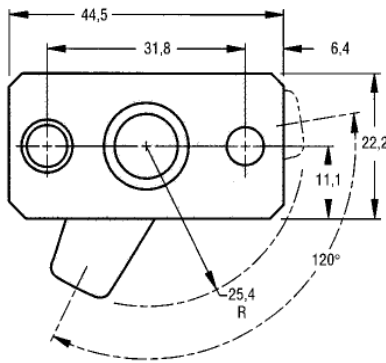
- Steel construction
- Can be used with all medium size adjustable compression latch styles except key-locking
- Furnished with two nuts and two lockwashers
- Phosphate dip plus black powder coated finish

Panel Preparation

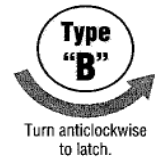


P/No: 44-30-101-10

Adjustable Compression Latch, Medium Size (cont.)



Pawl Style and Positions



Styles	Door Thickness	Grip Range		Part Numbers			Pawl Position
				Steel		Stainless steel, passivated Type "A"	
				Type "A"	Type "B"		
Black Nylon Knob	1.2 to 2.8	3.2	9.5	44-99-116-11	44-99-117-11	-----	A
		9.5	19.1	44-99-116-12	44-99-117-12	-----	B
		19.1	28.6	44-99-116-13	44-99-117-13	-----	C
	2.8 to 4.4	3.2	9.5	44-99-119-11	44-99-120-11	-----	A
		9.5	19.1	44-99-119-12	44-99-120-12	-----	B
		19.1	28.6	44-99-119-13	44-99-120-13	-----	C
Low Profile Black Knob	0.8 to 6.4	3.2	9.5	44-1-34-0	-----	-----	A
		9.5	19.1	44-1-35-0	-----	-----	B
		19.1	28.6	44-1-36-0	-----	-----	C
Knurled head	-----	3.2	9.5	44-1-1-0	44-10-1-0	44-1-1-24	A
		9.5	19.1	44-1-2-0	44-10-2-0	44-1-2-24	B
		19.1	28.6	44-1-3-0	44-10-3-0	44-1-3-24	C
Knurled head with T-bar	-----	3.2	9.5	44-1-7-0	-----	-----	A
		9.5	19.1	44-1-8-0	-----	-----	B
		19.1	28.6	44-1-9-0	-----	-----	C
Hex-socket head (4mm)	-----	3.2	9.5	44-1-22-0	44-10-22-0	-----	A
		9.5	19.1	44-1-23-0	44-10-23-0	-----	B
		19.1	28.6	44-1-24-0	44-10-24-0	-----	C
Slotted knurled head	-----	3.2	9.5	44-1-10-0	44-10-10-0	-----	A
		9.5	19.1	44-1-11-0	44-10-11-0	-----	B
		19.1	28.6	44-1-12-0	44-10-12-0	-----	C
Slotted flush head	-----	3.2	9.5	44-1-16-0	44-10-16-0	44-1-16-24	A
		9.5	19.1	44-1-17-0	44-10-17-0	44-1-17-24	B
		19.1	28.6	44-1-18-0	44-10-18-0	44-1-18-24	C
Toolhead Recess	-----	3.2	9.5	44-T-1	-----	-----	A
		9.5	19.1	44-T-2	-----	-----	B
		19.1	28.6	44-T-3	-----	-----	C

LOCK HOUSING FINISH

		Nature <small>plus chemical protective film</small>		Chrome plated	Black power coated		
Keylocking (Locks are keyed alike. Different keycodes available)	1.07 to 2.36	3.2	9.5	44-99-222-51	44-99-222-61	44-99-222-71	A
		9.5	19.1	44-99-222-52	44-99-222-62	44-99-222-72	B
		19.1	28.6	44-99-222-53	44-99-222-63	44-99-222-73	C
	2.36 to 3.96	3.2	9.5	44-99-223-51	44-99-223-61	44-99-223-71	A
		9.5	19.1	44-99-223-52	44-99-223-62	44-99-223-72	B
		19.1	28.6	44-99-223-53	44-99-223-63	44-99-223-73	C