



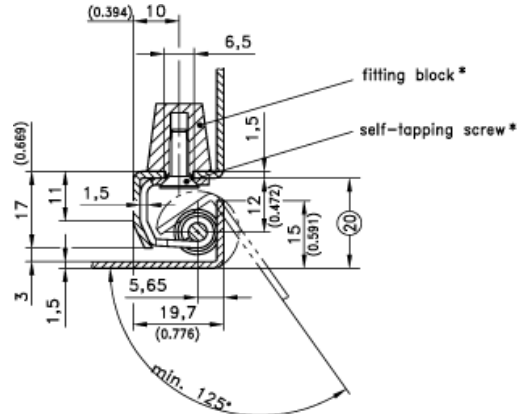
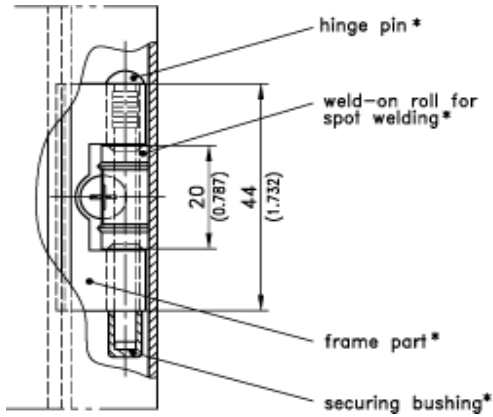
Concealed hinge with opening angle min 125°

- RH or LH application
- Door bending from 18 to 20mm, frame part can be screwed on.
- Hinge pin is retained.

Material:-

- Frame part and hinge pin: steel, zinc plated
- Weld-on roll: steel, non plated
- Fitting block: PA, black

Hinge	Steel	Stainless steel
Part No:	216-9015	216-9113



Hinge For nested door



180° hinge with PA bushings

- Opening angle max. 180°

Material:-

- Hinge parts: zinc die, chrome plated or black coated
- Pin: AISI 303 or steel, zinc plated
- Bushings: PA, natural

Hinge with PA bushing	standard frame part		raised frame part	
	Chrome	Black	Chrome	Black
Pin: steel, zinc plated	217-9109	217-9101	217-9116	217-9103
Part No:	217-9110	217-9102	217-9117	217-9104

